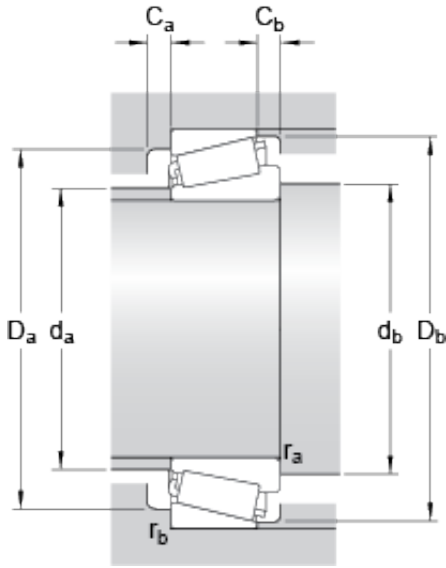




EO Bearing Imp&Exp .co.,ltd

Timken, NSK, SKF, FAG 30207 30208 32217
32218 Axial Bearing Taper Roller Bearing Factory
Price

Bearing No. 30207



30207 Bearing 2D drawings and 3D CAD models

Dimension series	3DB
d	35 mm
D	72 mm
T	18.25 mm
d ₁	51.95 mm
B	17 mm
C	15 mm
r _{1,2} min.	1.5 mm
r _{3,4} min.	1.5 mm
a	14.955 mm
d _a max.	44 mm
d _b min.	43.5 mm
D _a min.	62 mm
D _a max.	64.5 mm
D _b min.	67 mm
C _a min.	3 mm
C _b min.	3 mm
r _a max.	1.5 mm
r _b max.	1.5 mm
Basic dynamic load rating C	63.2 kN
Basic static load rating C ₀	56 kN
Fatigue load limit P _u	6.1 kN
Reference speed	8000 r/min
Limiting speed	9500 r/min
Calculation factor e	0.37



EO Bearing Imp&Exp .co.,ltd

Calculation factor Y	1.6
Calculation factor Y_0	0.9
Mass bearing	0.33 kg